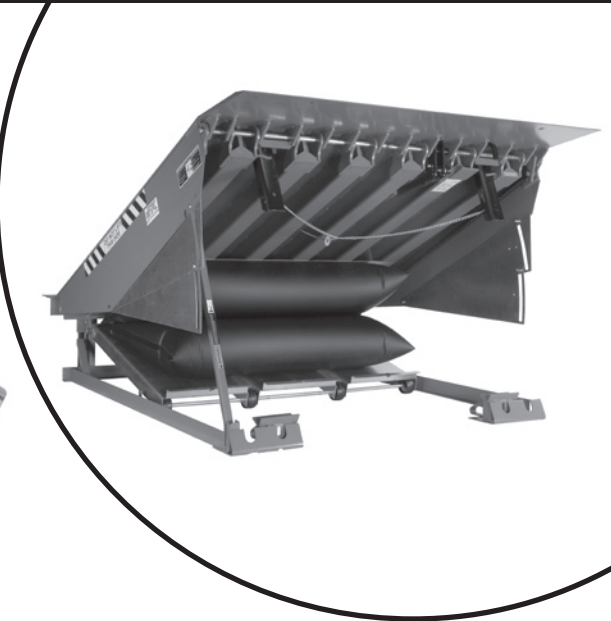


aEX-G™ SERIES DOCKLEVELER
 AIR-POWERED SPECIFICATIONS



Design Highlights

- Exclusive SafeTFrame™ Design
- Lug Style Lip Hinge & Lambda Beam Structure
- High Volume, Low Pressure Lifting System
- Low Maintenance Design
- Exclusive GRAVITY LIP™ Automatic Lip Extension
- Nema 4X Non-Metallic Push-button Control Panel (Non-Interlock Capable)
- 120V Single Phase Operation
- Open Subframe Design
- Full Operating Range Toe Guards
- Below-dock Endloading Capability
- 16" Lip Standard
- Fixed Rear Hinge - No Pinch Points
- Integral Maintenance Strut & Lip Support Latch
- Heavy-duty B410-14F Dock Bumpers

Project Information

Job Name _____
 Address _____
 General Contractor _____
 Distributor _____
 Model _____ Quantity _____

Certified For Construction

By _____
 Company _____
 Address _____
 Date _____

Available Options

- Brush Weatherseal
- Spacer Kit for Existing & Sloped Pits
- 18" Lip
- 20" Lip
- 24" Pit Conversion
- Spray Foam Insulated Deck
- Clean Pit Kit
- Abrasive Surface
- Special Paint Color
- Lip Taper _____ (specify)

Pan Option:

For installation without pre-formed concrete pits, dockleveler supplied with integral pre-formed steel pan for pour-in-place construction. Dockleveler shall be in an enclosed steel pan structure complete with its own six-piece welded structural curb angles and concrete anchors. The dockleveler is to be concreted in place as the floor is poured.



Pan Option

Other _____

Accessories

- STAR® Vehicle Restraint _____
- AUTO CHOCK® Wheel Restraint _____
- SURFACE CHOCK™ Wheel Restraint _____
- HIDDEN HOOK™ Recessed Restraint _____
- Master or Combo Control Panel _____

Bumper Options

- B410-14 VB420-11F
- B610-14 VB420-11 Steel Faced
- B610-14F Other _____

Capacity

- 30K 35K 40K 45K





aFX-C™ SERIES DOCKLEVELER
AIR-POWERED SPECIFICATIONS

1. General: Kelley's "aFX-C" airForce Technology™ dockleveler to be complete package, including motor housing assembly, full operating range toe guards, integral support struts for deck and lip lock. Units available in 30,000 - 45,000 lbs. capacities. Unit conforms to ANSI MH14.1-1987 performance requirements. Unit to be manufactured by Kelley.

2. Construction, Platform Assembly: Platform to be constructed of unitized, robotically welded high tensile steel safety tread deck plate. Exclusive Lambda deck beams optimize twist resistance and stress distribution. Deck to be 1/4" thick on 30K-35K, and 5/16" thick on 40K-45K capacities.

3. Lip Assembly: Lip to be 5/8" thick on 30K-35K capacities, and 1 1/16" on 40K-45K capacities. Self-cleaning lug-style lip hinge comes standard with heavy lugs welded directly to each beam and lip assembly. All units to be 16" high tensile steel safety tread lip plate with chamfered leading edge. Lip rod to be a minimum of 1" solid steel on all capacities.

4. Lip Extension: GRAVITY LIP™ Automatic Lip Extension ensures proper lip extension with descent of dockleveler into trailer.

5. Rear Subframe & Hinge: Rear structural frame consists of a welded structure constructed from 4 structural angle vertical members connecting two horizontal members. The upper rear angle has longitudinal support gussets & additional deck supports to promote structural stiffness. The hinge system consists of four 3/4" thick lugs allowing 4 inches of side to side deck twist without gap.

6. SafeTFrame: Adjustable front and rear leveling system eliminates the need for installer to place and weld steel shim stock under the vertical uprights. System provides more consistent installation and prevents a gap or "bump" between the rear transition angle and curb angle. The rear SafeTFrame system consists of four heavy-duty vertical uprights at the rear of the leveler, each with an adjustable 3"x3" pad that sits on the pit floor. Front SafeTFrame system includes an adjustment point on each front support pedestal accessed through the open lip hinge area. Both front pedestals and rear supports can be micro-adjusted independently through a 1 1/2" range using a 1/2" socket, compensating for even the worst pit conditions.

7. Power Unit: Power unit is an electric motor and blower.

8. Electrical: Fan motor is 120V single phase. Air bag and fan motor assembly are mounted to galvanized pan subassembly.

9. Open Frame: All Kelley docklevelers are built with an open frame design to provide easy access to the pit floor for routine cleaning and scheduled maintenance.

10. Control Panel: (Non-Interlock Capable), non-metallic, single push-button control panel. (Optional interlock cable panel available)

11. Product Finish: Baked enamel green paint finish.

12. Safety Legs: High-efficiency 60,000 lbs. structural dock level support legs. Drop-tested to the full rated capacity of the dockleveler.

13. Below-dock Control (Endloading): Below-dock control chain supplied to retract dock level support legs for complete servicing of trailers below-dock and allows for lowering of the leveler without extending the lip.

14. Toe Guard Protection: Full operating range toe guards with two galvanized sliding guards (yellow OSHA required markings per ANSI/Z535.1) provided on the sides of the dockleveler.

15. Integral Support Strut: Integral support strut keeps ramp raised during routine maintenance and pit cleaning.

16. Integral Lip Lock: Lip lock keeps lip raised for routine maintenance and cleaning.

17. Float Compensation: Allows for vertical carrier deflection when lip is in contact with truck bed.

18. Operation: Kelley's "aFX-C" dockleveler rises when push-button is pushed and held. GRAVITY LIP™ automatically extends as deck section descends into trailer bed. After loading or unloading is complete dock attendant pushes button to activate air system and raise dockleveler. GRAVITY LIP™ moves pendant and dockleveler is stored. In stored position, dockleveler is fully supported by dock level support legs. Ramp may be lowered to fully supported below dock level position without extending lip, to service low trucks in end load situations.

19. Installation: Unit shipped completely assembled and ready for installation in pre-formed concrete pit. Pit depth is 20" for 6' and 8' long units. Pit construction to be in accordance with certified Kelley pit detail drawings. Contact Kelley for current cost and nearest distributor.

20. Limited Warranty: Limited 5-year parts & labor warranty on lifting system (bag, motor, hoses, gaskets, fittings, & seals). Limited 1-year parts and labor warranty on remaining components. Limited 10-year structural warranty available upon engineering approval of written application.

21. Bumpers: Unit to include two heavy-duty dock bumpers model B410-14F (4"Thick x 14"W x 10"H).

NOMINAL DIMENSIONS

MODEL	WIDTH	LENGTH
aFX-C6X6	6'	6'
aFX-C6.5X6	6'6"	6'
aFX-C7X6	7'	6'
aFX-C6X8	6'	8'
aFX-C6.5X8	6'6"	8'
aFX-C7X8	7'	8'



**Front SafeTFrame®
Pedestal**

